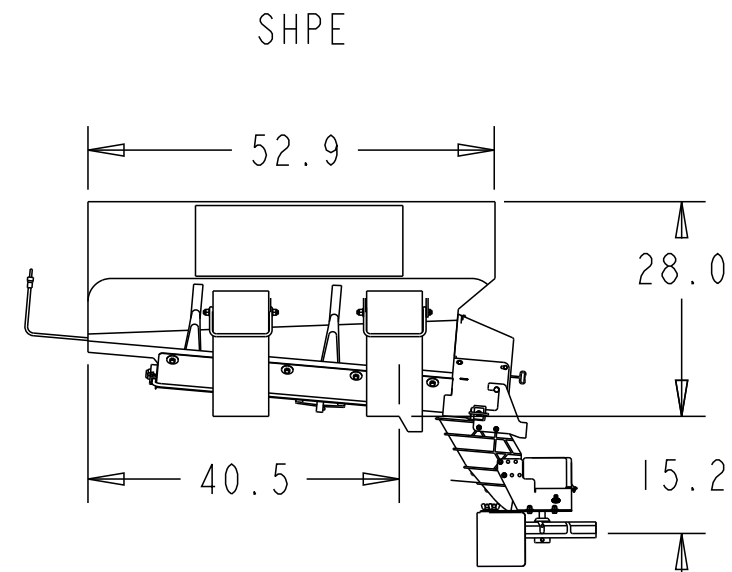
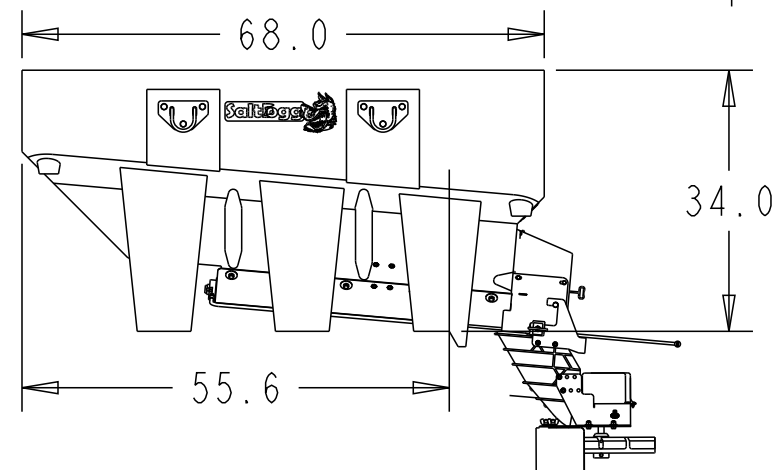


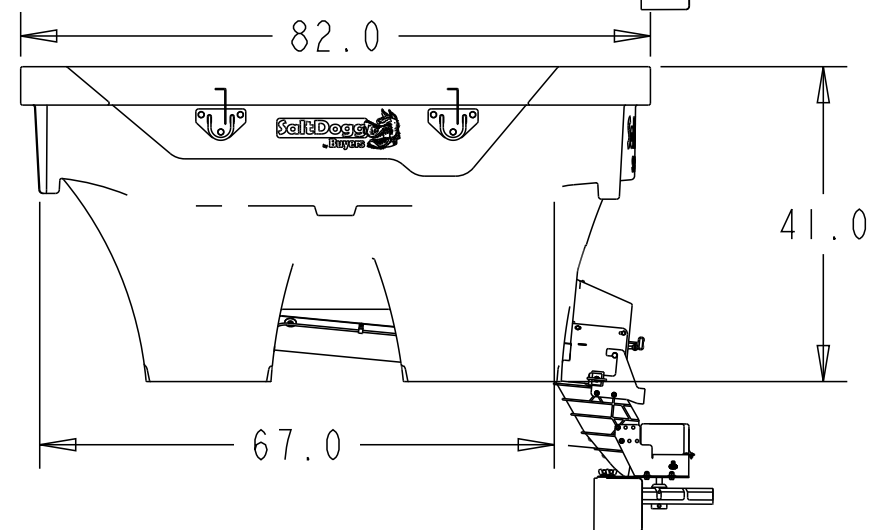
SHPE0750



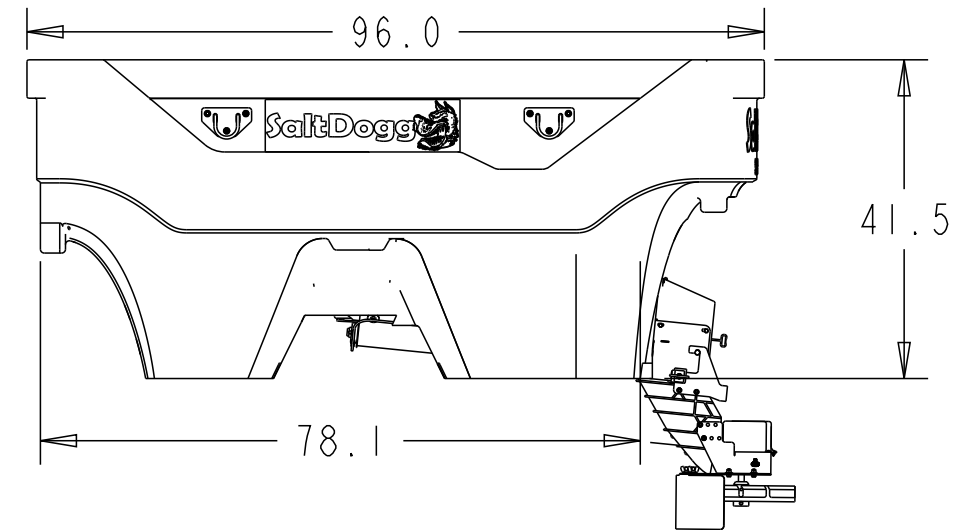
SHPE1000



SHPE1500

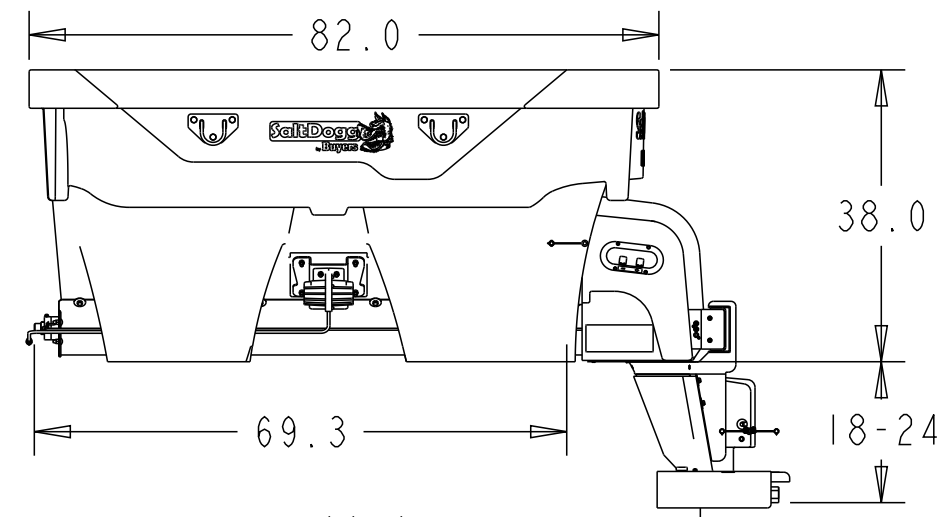


SHPE2000

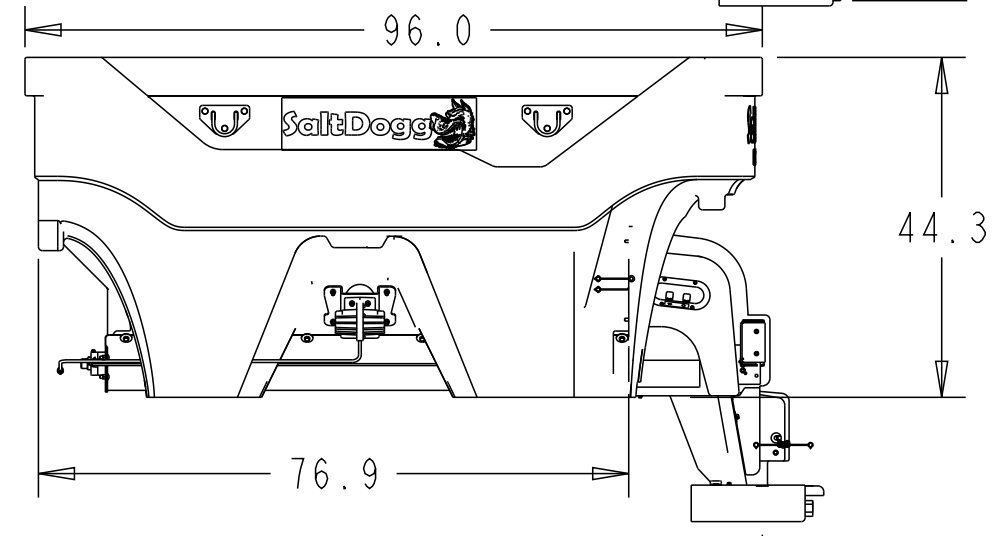


FOR REFERENCE ONLY

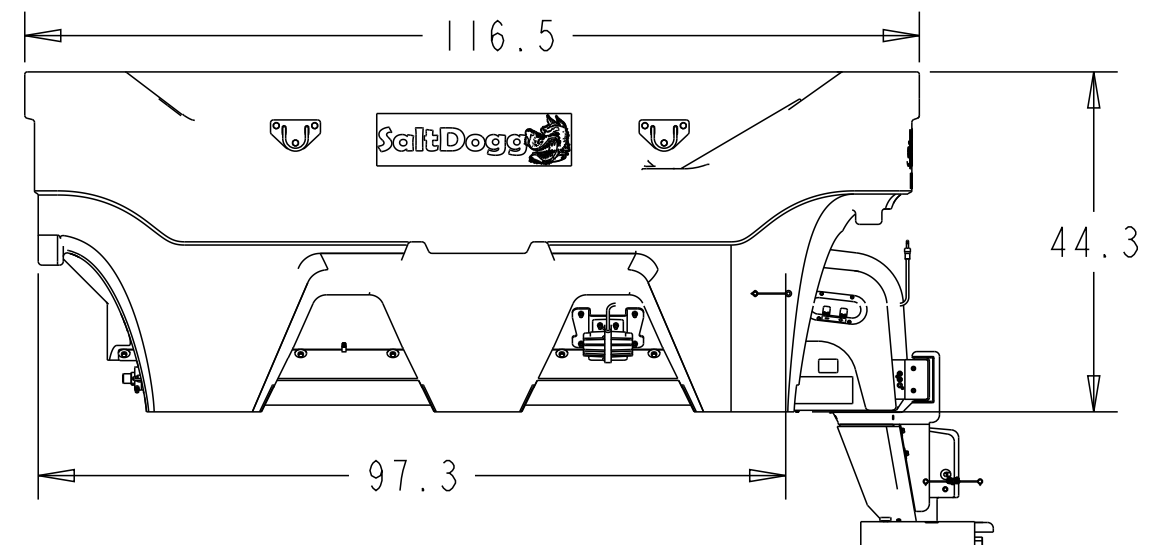
PRO



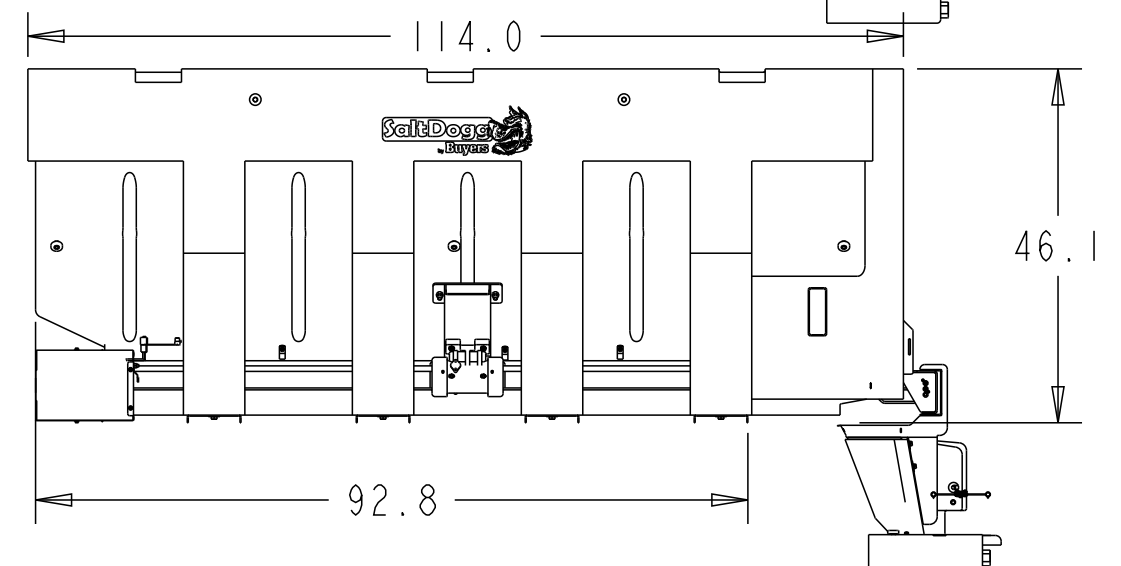
PRO1500



PRO2000




PRO2500



PRO3000

DWG PREADER_BED_LENGTHS SH 1

MATERIAL	NAME	SAM	DATE	20N024
	CHK	-	DATE	-
	APP	-	DATE	-
ALL SHEETS ARE THE SAME REVISION STATUS				
THIS ITEM IS A PROPRIETARY ITEM OF BUYERS PRODUCTS CO. AND REPRODUCTION OR USE THEREOF IN ANY MANNER WHATSOEVER IS UNAUTHORIZED EXCEPT WITH THE EXPRESS WRITTEN CONSENT OF BUYERS PRODUCTS CO. ANY USE DETRIMENTAL IN ANY WAY TO THE INTERESTS OF BUYERS PRODUCTS CO. IS EXPRESSLY PROHIBITED.				
UNLESS OTHERWISE SPECIFIED DIMENSIONS ARE IN INCHES				
.X ± .1				
.XX ± .03				
.XXX ± .010				
INTERPRET DIM AND TOL PER ASME Y14.5				

BUYERS PRODUCTS CO. 9049 TYLER BLVD. MENTOR, OH 44060				
PHONE: (440) 974-8888 FAX: (440) 974-0165				
				
TITLE SHPE/PRO SPREADER DIMENSIONS				
SIZE	CAGE CODE	DWG. NO.	REV	
C	-	SPREADER_BED_LENGTHS		
SCALE	0.04	WEIGHT	4677.01 LBS	SHEET
				1 of 1